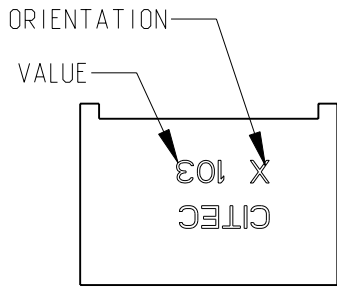
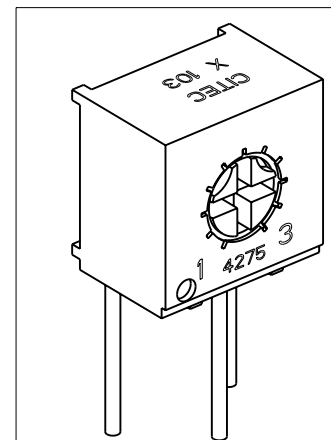
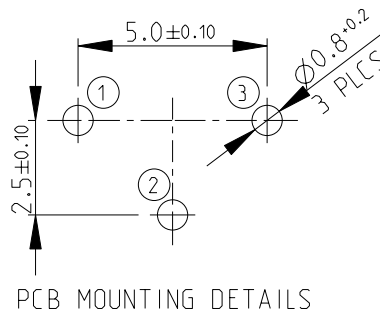
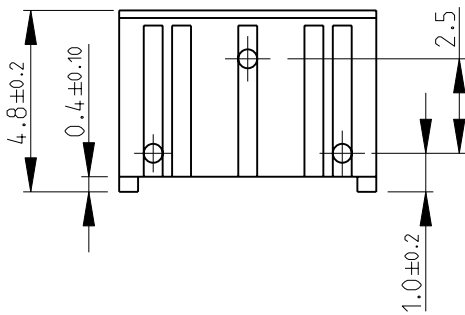
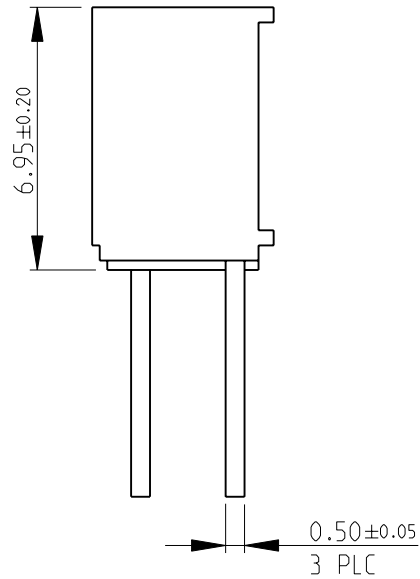
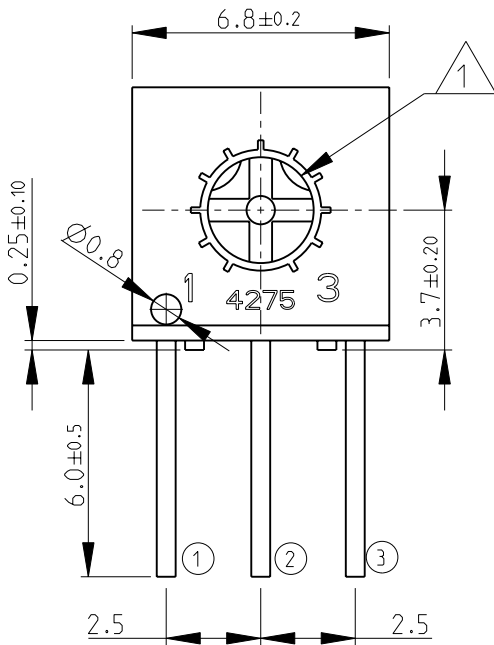
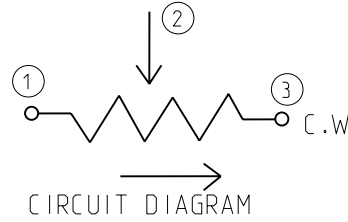


LOC E	DIST B	REVISIONS			DATE	DWN	APVD
		P	LTR	DESCRIPTION			
			BA	NEW RELEASE	25NOV09	MRS	St.P



1 SIDE ADJUSTMENT SLOT:  
Length- $2.8 \pm 0.2$ , Width- $0.6 \pm 0.1$ , Depth- $0.9 \pm 0.1$

2 FOR FURTHER INFORMATION SEE DATA SHEET  
FOR 4275 SERIES-PROFESSIONAL TRIMMERS



RoHS Compliant

2009

RELEASED FOR PUBLICATION

THIS DRAWING IS UNPUBLISHED.

BY TYCO ELECTRONICS CORPORATION. ALL RIGHTS RESERVED.

DIMENSIONS: mm	DWN MAHARUDRA	25NOV09	MATERIAL	-	FINISH	-
	CHK ALLAN.P	25NOV09	Tyco Electronics Corporation Dorcan, Swindon, SN3 5HH			
TOLERANCES UNLESS OTHERWISE SPECIFIED:	APVD STEPHEN.P	25NOV09				
0 PLC ±0.2	PRODUCT SPEC	-	NAME PROFESSIONAL TRIMMERS SERIES 4275X			
1 PLC ±0.1	APPLICATION SPEC	-				
2 PLC ±	WEIGHT	-	SIZE	CAGE CODE	DRAWING NO	RESTRICTED TO
3 PLC ±			A 4	00779	©-1623902	-
4 PLC ±			CUSTOMER DRAWING			SCALE 5:1
ANGLES ±5°			SHEET 1 OF 1			REV BA